

Please refer to the CBC® Flooring website www.cbcflooring.com for the most current guidance about product application charts, material handling, subfloor preparation and testing, product installation and maintenance recommendations. **Failure to follow these instructions may result in installation related problems.**

- ◆ Do not install unless you have the correct product, color and quantity of materials. Check for visible damage before installation. Immediately notify CBC Flooring of any discrepancies BEFORE installation. Installation of materials implies acceptance. No credit for labor will be provided for installing the incorrect materials or materials with visible issues.
- ◆ Handle materials with care to prevent damage. **DO NOT DOUBLE STACK PALLETS.**
- ◆ Store all flooring products and accessories in a dry interior area maintained between 50°F-85°F (10°C-29°C). Avoid temperature extremes.
- ◆ Store resilient sheet flooring rolls standing up, with capped end down. This prevents distortion and compression.
- ◆ Store treads in factory cartons on a firm flat substrate.
- ◆ Acclimate flooring, adhesive and substrate in the area to be installed to a stable condition between 65°F-85°F (18°C- 29°C) and 20%-65% RH for a minimum of 48 hours before, during and after installation. For interior installation, maintain a minimum temperature of 50°F (10°C) for the life of the floor.
- ◆ Refer to the [Exterior & Poolside Substrate Preparation Guide](#) for additional product handling and subfloor preparation guidance.

Adhesive Selection

- ◆ Make sure you that you have the recommended adhesive(s) and trowel size(s) for installation conditions. Use only recommended adhesives and accessories as others may not provide satisfactory performance. For most interior, dry applications, CBC recommends using CBC 5001 adhesive. For interior wet or exterior applications, CBC recommends using CBC 951 adhesive. However, the ultimate adhesive decision is the responsibility of the installer based on the specific environment and use. See our [Adhesive Reference Chart](#) at the end of this document or call CBC Technical Support for assistance at (919) 230-8700.

Fitting Takiron One-Piece Stair Treads & Risers

- ◆ For one piece tread risers the use of a cove stick is recommended of 1" to 1 ¼" radius
- ◆ Measure the width and height of the bottom step's riser. Cut the riser portion of Takiron One-piece tread to the measured size for the riser of the bottom step. Trace the cut tread and riser outline on the concrete with a pencil.
- ◆ Measure the width, depth, and height of the riser, and then cut flooring material to the measured size. See Fig 1.

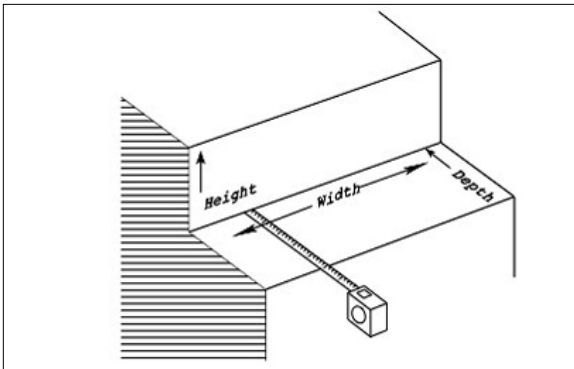


Fig 1

- ◆ Apply **CBC® OPTI Tape System** (interior only)
 - ◆ Apply 9.5" tape to the back of the tread and riser if one piece tread/riser is being installed two strips of tape are required. Apply tape to within 1/8" of the tread edges.
- or-
- ◆ **CBC 5001 Acrylic Adhesive** using a 1/16" x 1/16" x 1/16" V-notched trowel (interior only)
- or-
- ◆ **CBC 951** using a 1/32" x 1/16" x 1/32" U-notched trowel (interior, exterior or wet applications)
 - ◆ Spread the adhesive within the traced pencil line. Follow the procedures as outlined on page 9.
- ◆ Remove the protective film from the back of the nose of the Takiron Stair Treads. See Fig 2.

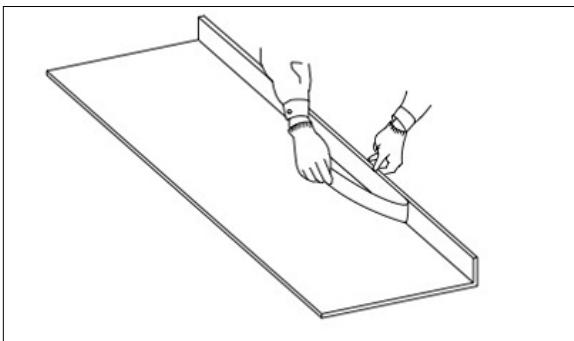


Fig 2

- ◆ Caulk the inside nose of all Takiron Stair Treads. Use a twin-caulking gun to apply the caulk. Attach the mixing nozzle to the front of the caulking gun.
- ◆ Apply a 6-7 mm thick bead (the thickness of a pencil) of **CBC 800 Nose Caulking** to the inside nose fold. See Fig 3.

Note: Discard the first several inches of nose caulking from the mixing nozzle. It will not be completely mixed.

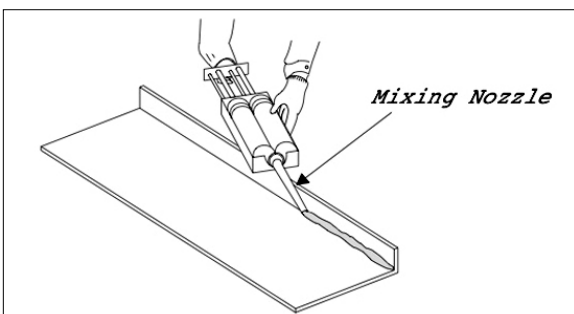


Fig 3

Note: Insufficient CBC® 800 Nose Caulking will result in stair nose cracking. See Fig 4.

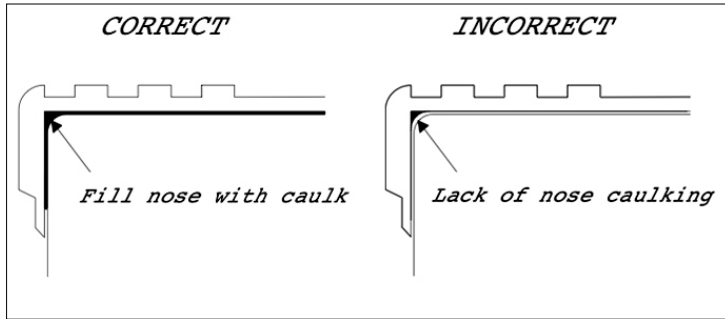


Fig 4

Placing Takiron Stair Treads

- ◆ Place-and-press the sheet cut in accordance with 5.1. to adhere to the riser of the bottom stair. Make sure the top edge of the sheet does not protrude above the edge. See Fig 5.

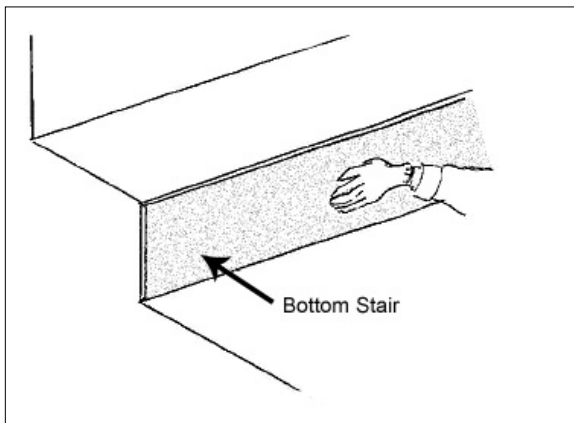


Fig 5

- ◆ Place the nose fold of the Takiron Stair Treads onto the right angle of the step. Carefully press into place so that there is no gap between the substrate and the nose fold. See Fig 6 & 7.

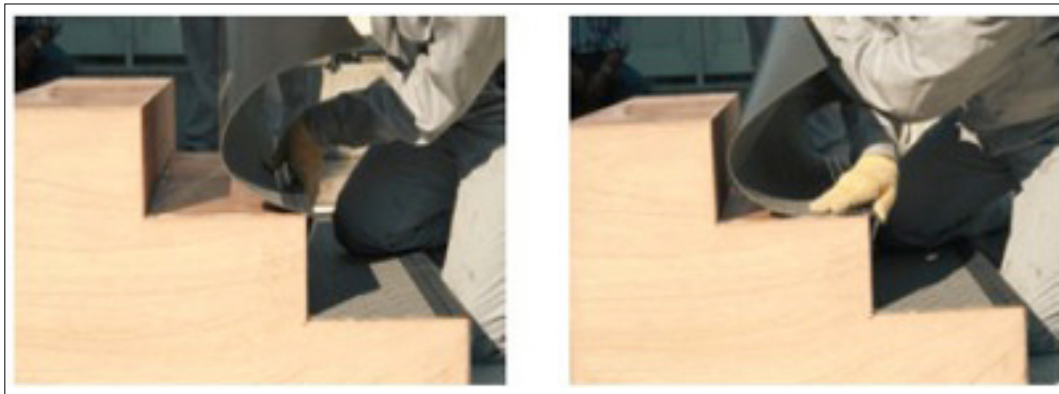


Fig 6

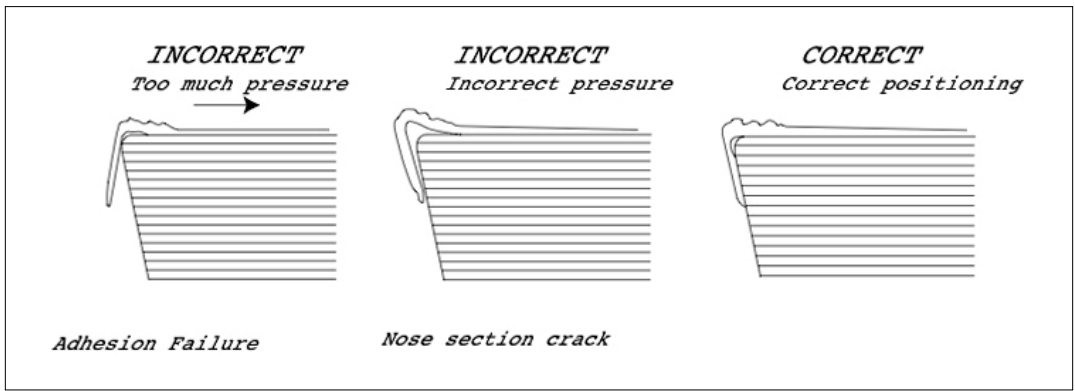


Fig 7

- ◆ To ensure complete adhesive contact, immediately roll the material using a hand roller.
- ◆ After rolling, trim any part of the riser protruding beyond the top edge of the stair. See Fig 8.

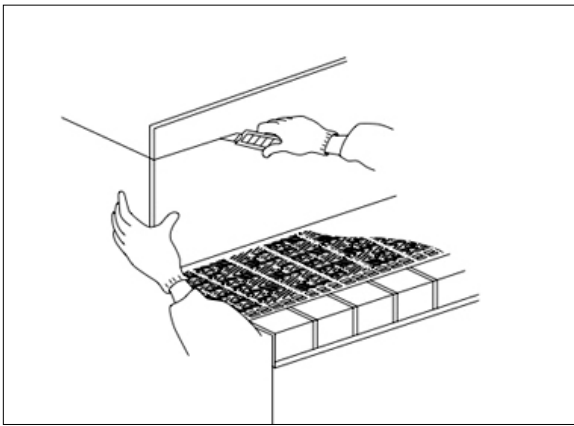


Fig 8

Note: Any protruding riser left untrimmed will not allow the stair nosing to lay flat.

- ◆ Any discrepancy between the side edges of the Takiron Riser Sheet and the tread should be trimmed to form a straight-line side.
- ◆ Immediately hand roll the stair tread, riser, nosing and the corner between riser and tread. Roll the nose area carefully. See Fig 9 & 10. Cove stick is optional at the tread riser junction.

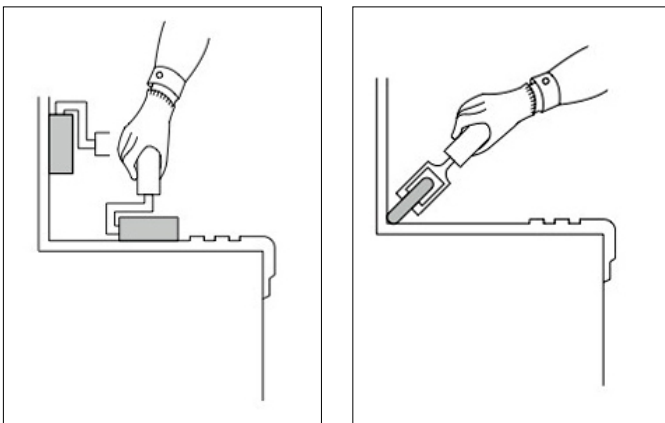


Fig 9

Use caution when rolling the corner between riser and stair tread

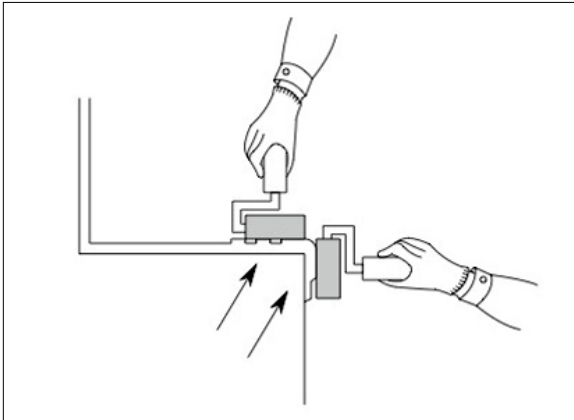


Fig 10

Carefully roll the nose area to avoid displacing the nose caulking

- ◆ Level the flooring material by running the roller both vertically and horizontally. Use caution when rolling the nose area where **CBC® 800** Nose Caulking is applied.

Note: Rolling the nose area too aggressively can cause the CBC 800 Nose Caulking to flex, resulting in gaps between flooring material and substrate.

Seam Sealing Method to Nattice® or Pathways Landing Sheet (Heat - Welding)

- ◆ Groove or rout the seam line between the Takiron Stair Treads and Nattice or Pathways Landing Sheet.
- ◆ Grooving and seaming must be done in a flat area between the treads embossed design.
- ◆ Groove only to a width to accept a **3.5 mm** welding thread. Depth should be two-thirds (2/3) of the product thickness.
- ◆ When installed with adhesive allow it to completely set (minimum 12 hours) before beginning the welding procedure. When using **CBC OPTI Tape** welding can be done the same day. Weld the seam using a hot-air heat-welding gun designed for heat welding resilient flooring. After the seam has cooled to the room temperature, the seam weld thread should be trimmed using a trim knife or similar tool, being careful not to damage the textured surface of the Takiron Stair Treads. See Fig 11 & 12.

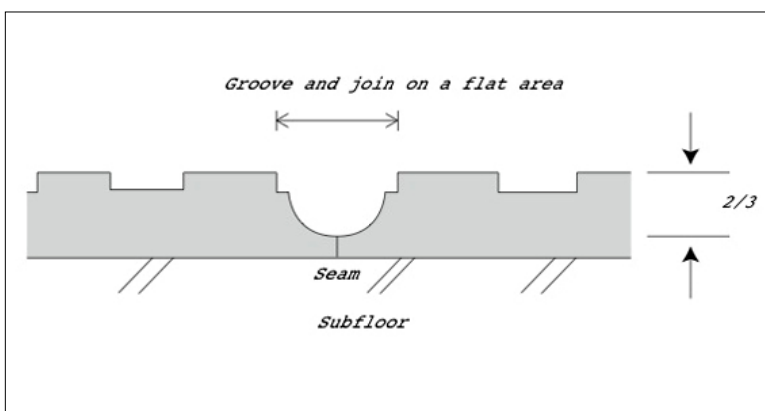


Fig 11



Fig 12

Seam Sealing Method (Heat Welding)

- ◆ Groove or rout the seam line between the Takiron Stair Treads and Nattice® or Pathways Landing Sheet, and/or between the two Takiron Stairtread portions to be seamed.
- ◆ Grooving and seaming must be done in a flat area between the embossed designs.
- ◆ Groove only wide enough to accept a maximum 3.5 mm welding thread. Groove depth should be two-thirds (2/3) of the product thickness. See Fig 13.

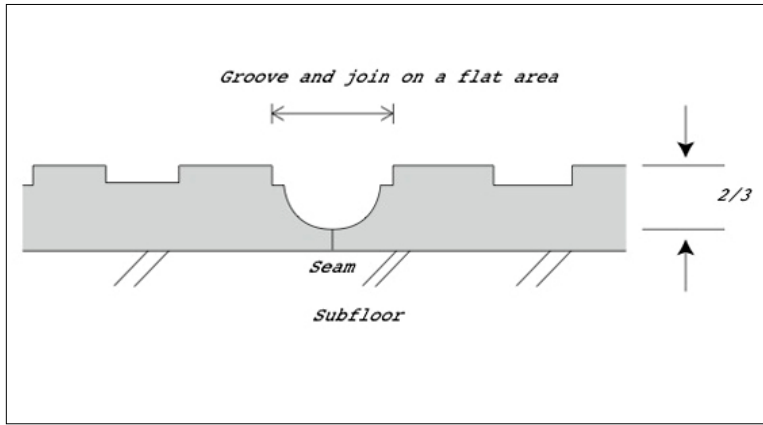


Fig 13

- ◆ Allow the adhesive to completely set (minimum 12 hours) before beginning the heat welding procedure. Weld the seam using a hot-air heat-welding gun designed for heat welding resilient flooring. After the seam has cooled to the room temperature, trim the seam weld using a trim knife or similar tool, being careful not to damage the surface of the Takiron Stair Treads. See Fig 12.
- ◆ The 3mm wide flat area in the embossing may also be sealed using Henkel Teroson MS 939NA or equivalent edge sealer. Place two parallel lines of masking tape on each side of seam area. Smooth the edge sealer with a spatula or similar tool. See Fig 14, 15 & 16.

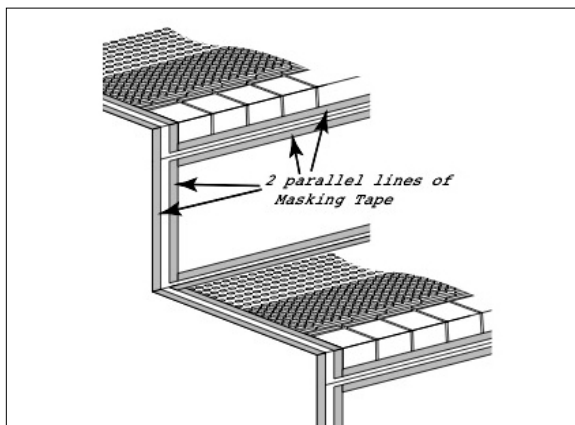


Fig 14

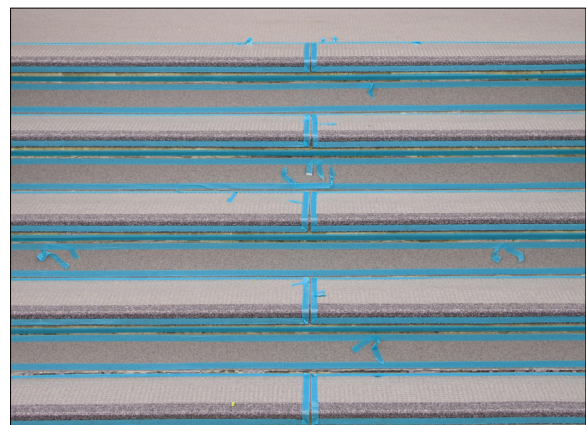


Fig 15

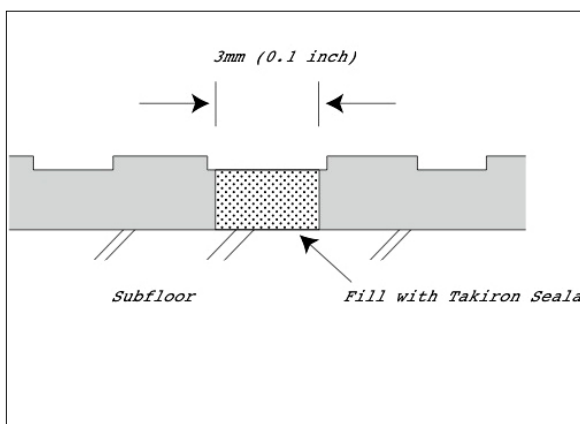


Fig 16

- ◆ **Immediately remove the masking tape after applying the Henkel Teroson MS 939NA or equivalent edge sealer.** Wrap the used tape around the empty edge sealer tube.
- ◆ Dispose of the tape in accordance with federal, state, and local ordinances. Allow the edge sealer to completely set before allowing traffic on the flooring material, as the outdoor curing time varies with temperature and humidity.

Note: Keep all foot traffic off the Takiron Stair Treads for a minimum 72 hours to allow the Henkel Teroson MS 939NA or equivalent edge sealer to cure.

Tape Installation

Indoor installations of Takiron Stair Treads may be installed using double-faced tape. Use only Opti-Tape (9.5-inch rolls) for Takiron Stair Treads.

Tape Installation (One-piece tread & riser type)

- ◆ Measure the width and height of the bottom step's riser. Cut the riser portion of Takiron One-piece tread to the measured size for the riser of the bottom step. Trace the cut tread and riser outline on the concrete with a pencil. Measure width and depth and height of the riser, Cut flooring material to the measured size. See Fig 1, 13 & 14.
- ◆ Apply **CBC® Opti-Tape** 9.5-inch Double Face Tape to the back of the Takiron Stair Treads. Completely cover the tread backing with tape. When installing one piece tread riser combination product two strips of tape will be required. Leave the protective film on the top side. See Fig 18.
- ◆ Remove the protective film paper one-by-one beginning at the Stairtread nose. Leave the final protective film in place. Remove it during final placement of the Stairtread. See Fig 17

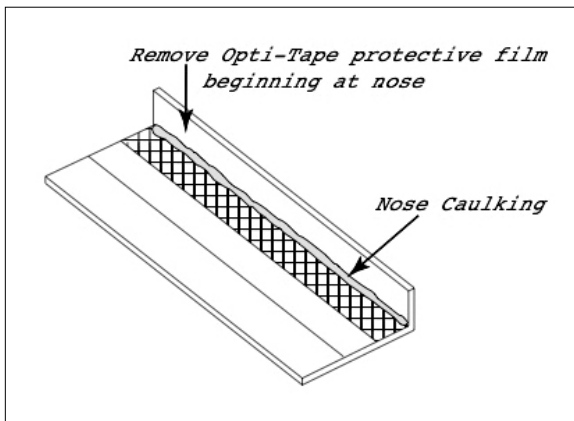


Fig 17



Fig 18

Note: Do not remove all the protective films at one time. If all the protective film papers are removed, adjusting the final position of the Takiron Stairtread will be very difficult.

- ◆ Remove the protective film from the back of the Takiron Stairtread nose. See Fig 2.
- ◆ Apply **CBC® 800** Nose Caulking to fill nose section
 - ◆ Follow procedures as outlined on page 2. See Fig 3.
- ◆ Place-and-press the sheet cut out in accordance with page 3 to adhere to the riser of the bottom stair. Make sure the top edge of the riser does not protrude above the edge. See Fig 5.
- ◆ Place the fold of Takiron Stair Treads into the right angle ridge of the step, and carefully press into place so that there is no gap between the substrate and the back of the fold of Takiron Stair Treads. (cove stick optional)
- ◆ Remove the strips of protective film starting at the stair nose one-by-one. Leave on the last film for final tread placement.
- ◆ Roll the flooring material with a hand roller to ensure complete adhesive transfer.
- ◆ Once in place and rolled, trim any protruding part. See Fig 8.

Note: The Stairtread will not lay flat if any protruding parts are left untrimmed.

- ◆ Use the flooring material remaining after the cutting process described on page 3 for the staircase landing. Cut in the flat area of Takiron Stair Treads between the embossing and match the patterns of Takiron Landing Sheet.
- ◆ Trim the side edges of the Stair Treads in a straight line to remove any discrepancies.
- ◆ Immediately hand roll the stair tread, riser, nosing and the corner between riser and tread. Press the corner area carefully. See Fig 9 & 10.
- ◆ Level the material by running the roller both vertically and horizontally. Use caution when rolling the nose area where the **CBC 800** Nose Caulking is applied.

Note: Too aggressive rolling on the nose may cause the CBC 800 Nose Caulking to flex, resulting in gaps between flooring material and substrate.

Note: Use caution when rolling the corner between riser and stair tread.

Installing with CBC® 951 Epoxy 2-Part Adhesive

- ◆ If this is your first project or if it has been several months since installing Takiron flooring using the **CBC 951 Epoxy 2-Part Adhesive** call CBC Flooring Technical Support at (919) 230-8700 to review installations recommendations and obtain guidance for your specific application.
- ◆ Acclimate materials to jobsite conditions.
- ◆ Prepare the surface following the guidelines within the Takiron Nattice® & Pathways Exterior and Poolside Substrate Preparation Guide.
- ◆ Perform moisture (RH and or CaCl) and pH testing before interior poolside installations in accordance with current ASTM methods. **CBC 951** limits:
 - ◆ ASTM F 1869 Anhydrous Calcium Chloride Moisture limit - 5 lbs MVER
 - ◆ ASTM F 2170 in-situ Relative Humidity limit - 85% RH
 - ◆ ASTM F 710 Preparing Concrete - Surface Alkalinity 7-10 pH
- ◆ For one piece stair tread and risers the use of cove stick is recommended.

Note: The subfloor temperature directly affects setting time. The warmer the surface temperature, the faster the adhesive will set. The cooler the temperature, the slower the adhesive will set.
- ◆ Use the 2-part adhesive following the label instructions. Pay careful attention when mixing to ensure the adhesive is fully mixed with no streaks remaining.

Caution: Mixing adhesives on the substrate will cause mixing failure, excessive adhesive application and trapped air bubbles.
- ◆ Immediately apply the 2-part adhesive to the substrate and spread using a 1/32" x 1/16" x 1/32" U-notched trowel.
- ◆ Comb the adhesive across the width of the tread so that all the adhesive ridges are straight and running across the width of the material. This helps trapped air to escape during rolling.
- ◆ Adhesive Set up and Working Time
 - ◆ Spread Rate: Approximately 175 to 225 sq. ft. per gallon using the 1/32" 1/16" x 1/32" U-notch trowel
 - ◆ Set up Time: No waiting time required - Place the treads immediately into the wet adhesive bed to ensure 100% adhesive transfer to the flooring material.
 - ◆ Working/open time: 40-60 minutes, depending on slab temperature. Higher temperatures will decrease the working time.
- ◆ Work off the tread to prevent adhesive oozing, shifting material, or indentation from adhesive displacement. If you must work on top of the material, use large kneeling boards. Styrofoam insulation boards 1 inch or thicker can be used for kneeling or walking boards. Indentations made in wet adhesive are permanent and cannot be rolled out!
- ◆ Roll the tread fully three times with a hand or light weight carpet roller with downward pressure to ensure complete adhesive transfer.
- ◆ Hand roll seams immediately after placing the sheet into the adhesive.

Note: Do not exceed the adhesive's working time. Adhesive will 'skim over' and not transfer when working time is exceeded. **DO NOT INSTALL TREADS OR RE-APPLY NEW ADHESIVE OVER HARDENED ADHESIVE.** Remove the hardened adhesive from the substrate and start again.
- ◆ Pour Part B into Part A. Thoroughly mix using a drill and suitable mixing paddle. Mix until a uniform consistency is achieved with no streaks. Do not mix by hand. Do not mix adhesive on the substrate.
- ◆ Do not leave mixed epoxy adhesive in the container for more than 3-5 minutes. Mixed containers of epoxy generate heat that accelerates the cure and reduces the working time and coverage.
- ◆ Immediately pour the mixed contents onto the substrate.
- ◆ Set up Time: none - Place the material **immediately** in the adhesive bed to ensure adhesive transfer to the flooring material.
- ◆ Working time: 40-60 minutes, depending on temperature. Higher temperatures will decrease the working time.
- ◆ If the temperature of the outdoor concrete substrate drops to 60°F, it will take 5 hours for the adhesive to set up (cure). If the concrete temperature drops to 50°F, it will take 8 hours for the adhesive to set up. At 40°F, the set up time is 12 hours. Bond strength is not compromised by curing at lower than ambient (72-76°F) temperatures.

- ◆ When using **CBC® 951** for Takiron Stairtread installations, all tread, riser, and Nattice® or Pathways landing sheet material must be completely cut/fit prior to mixing the **CBC 951**. Working time is very limited with this adhesive!
- ◆ Hand roll the Stair Treads, risers, and landing area immediately after placement of material into adhesive.
- ◆ When using **CBC 951** under Takiron Nattice or Pathways Landing Sheet flooring, 'comb' the adhesive across the width of Hand roll the Stair Treads, risers, and landing area immediately after placement of material into adhesive.
- ◆ When using **CBC 951** under Takiron Nattice or Pathways Landing Sheet flooring, 'comb' the adhesive across the width of the sheet material so that all the trowel notches are straight and running across the width of the material.
- ◆ Roll the Nattice or Pathways Landing Sheet material three times with a 3-section, 100 lb roller. The first roll should occur immediately after the material has been laid into the adhesive. Roll first across the width of the sheet parallel to the adhesive trowel marks and then roll lengthwise. Roll the material two (2) more times every 30 minutes.
- ◆ Work off the Landing Sheet flooring to prevent adhesive oozing, shifting material, or indentation from adhesive displacement. If you must work on top of the material, use large kneeling boards. Indentations in wet adhesive cannot be rolled out.

Note: Do not exceed the working time. Adhesive will 'skim over' and not transfer when open time is exceeded.

Note: DO NOT INSTALL FLOORING OR RE-APPLY NEW ADHESIVE OVER HARDENED ADHESIVE. Remove the hardened adhesive from the substrate and start again.

Edge Sealing

- ◆ All exposed edges of the installation must be sealed for exterior and wet area installations.
- ◆ Place two parallel lines of masking tape around the entire edge of the Takiron Stair Treads, Riser and Landing Sheet. The inside tape line should be on the tread paralleling the tread edge. The second tape line should be on the substrate paralleling the tread edge. The gap between the two masking tape lines should be 5mm wide (approximately 3/16 inch). Apply a bead of Henkel Teroson MS 939NA or equivalent edge sealer and smooth with a spatula or similar tool so that edge sealer is 5mm wide (approximately 3/16 inch). See Fig 14, 15 & 16 on page 6.
- ◆ Remove the masking tape immediately after applying the Henkel Teroson MS 939NA or equivalent edge sealer. Wrap the used tape around the empty edge sealer tube. Dispose of the tape in accordance with federal, state, and local ordinances.

Note: Takiron Stair Treads installed on steel substrates and sealed with Henkel Teroson MS 939NA or equivalent edge sealer (sealant for edge portion) should not be sealed to the stringer.

Following Installation

- ◆ Wait at least 48 hours before moving furniture or heavy loads across the Takiron Stair Treads and Nattice® or Pathways Landing Sheet. The installation must be completed, the adhesive must be fully cured and the material be cleaned before use.

Points of Caution During Use

- ◆ Avoid exposure of the floor surface to water and sand. Such contaminants can create a slip-and-fall hazard.
- ◆ Avoid freezing of the floor surface especially during cold seasons.
- ◆ Avoid exposure of snow to the floor surface to eliminate slip-and-fall hazards.
- ◆ Use proper matting systems to capture shoe-born contaminants that could be tracked onto the floor surface. Such contaminants can lead to slip-and-fall hazards and permanent staining.
- ◆ Packing tape or other tapes left on the floor as debris may cause changes in color and quality of the product. The adhesive material used on the back of the tape may cause such damage.
- ◆ Avoid walking barefoot on the flooring if it is exposed to direct sunlight. The surface temperature may become uncomfortably high for bare feet.
- ◆ Avoid walking in high heels, spiked shoes, ice skates and similar shoes since this may damage flooring.
- ◆ Avoid using jacks and forklifts for pallets, since this may damage or destroy the flooring.
- ◆ Use of cleansing or maintenance methods other than those recommended may cause damage to the floor sheet. Such damage is not the responsibility of the Takiron International.

Product Size	Tread Thickness	Nose Height	Nose Thickness	Inches	Metric	Pcs/Ctn
6' Length	0.10" (2.5mm)	1.57" (40mm)	.165" (4.2mm)	72 x 19.69	1828mm x 500mm	5
4' Length	0.10" (2.5mm)	1.57" (40mm)	.165" (4.2mm)	48 x 19.69	1220mm x 500mm	7

When the installation is complete, follow the flooring products appropriate Maintenance Guide.

Adhesive Reference

	Product	RH Limit ASTM 2170	Vapor Emission ASTM F1899	pH Limit	Weight (lbs) per Unit	Trowel Size and Usage Notes	Unit Size	Coverage per Unit	Recommended				TOLI®			C.I. TAKIRON								
									Wet or Flood Washed	Extreme Heat or Cold	Heavy Static Load	Custom Designs	Mature® AdVantage	Lightwood®/Kareina Asento®	Homogeneous Vinyl Tile	Nattice® & Pathways (Interior)*	Nattice & Pathways (Exterior)	Tread & Risers (Interior)	Tread & Risers (Exterior)					
Adhesives	CBC® 5001 Acrylic	85%	6 lbs / 24 hours / 1,000 SF	10 pH	40.0	1/16 x 1/16 x 1/16 V-notch	4 Gallon	670-750 SF		◆		◆					P	P						
						1/16 x 1/16 x 1/16 V-notch	4 Gallon	720-800 SF		◆		◆										N		
						1/32 x 1/16 x 1/32 U-notch	4 Gallon	880-1,040 SF		◆		◆	P	P	P									
						1/32 x 1/16 x 1/32 U-notch	4 Gallon	1,200-1,400 SF		◆		◆	N	N	N									
	CBC 951 Epoxy	90%	8 lbs / 24 hours / 1,000 SF		29.0	1/32 x 1/16 x 1/32 U-notch	1 Gallon	175-225 SF	◆	◆	◆	◆	◆	◆	◆	◆	◆	◆	◆	◆				
Tread Accessories	Opti-Tape 9.5" Width				7.3		1 roll/ctn	165 LF per roll											◆					
	CBC 800 Nose Caulk				1.7	Double Caulking Gun	13.5 oz. Tube	40 LF per tube		◆									◆	◆				

P = Porous surface
 N = Non-porous surface
 ◆ = Porus & non-porous surface
 * = Interior wet areas follow exterior instructions